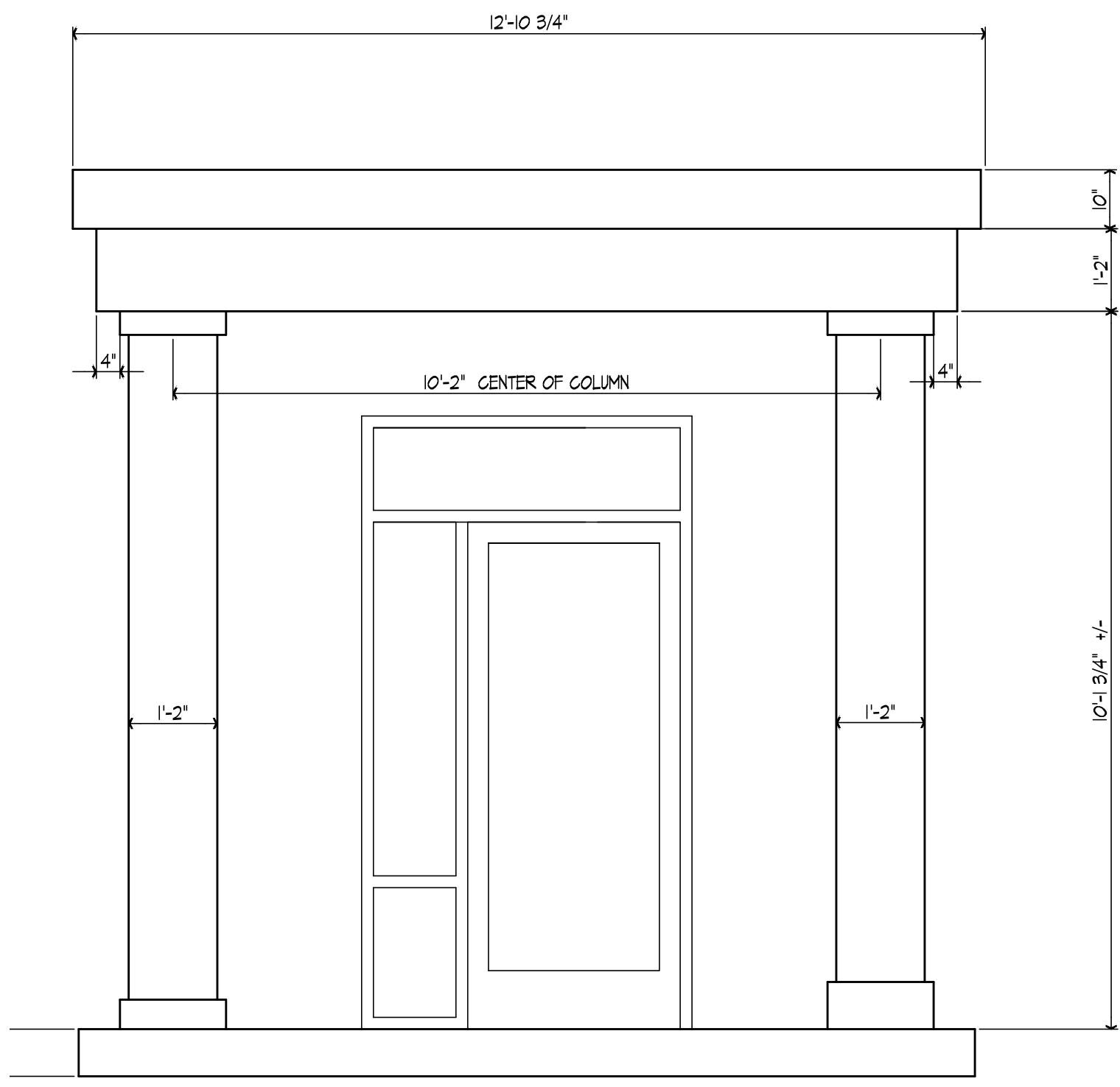
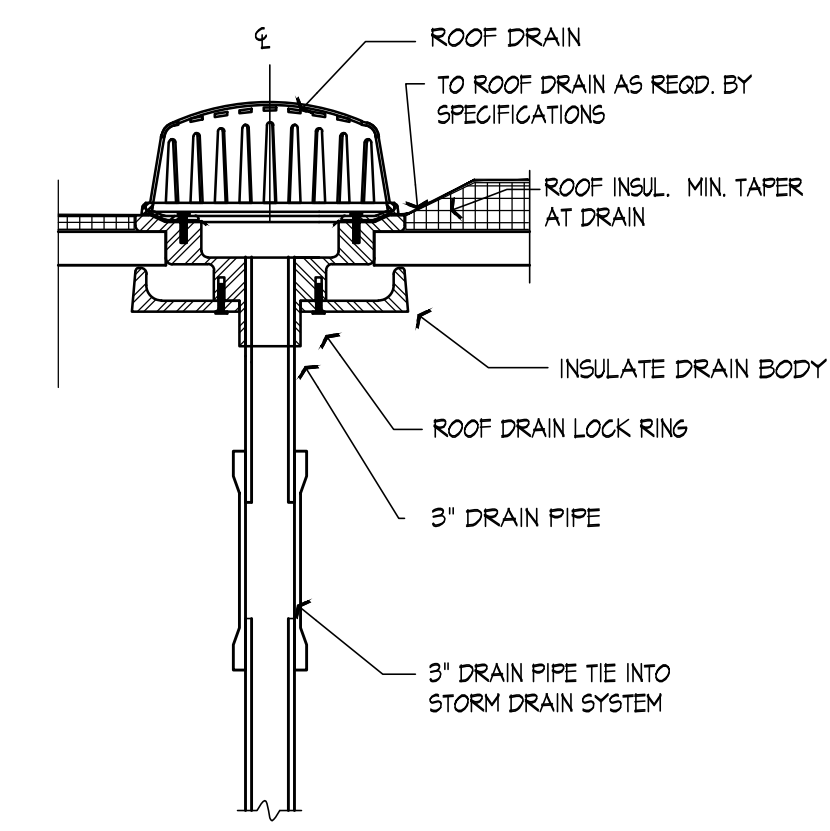


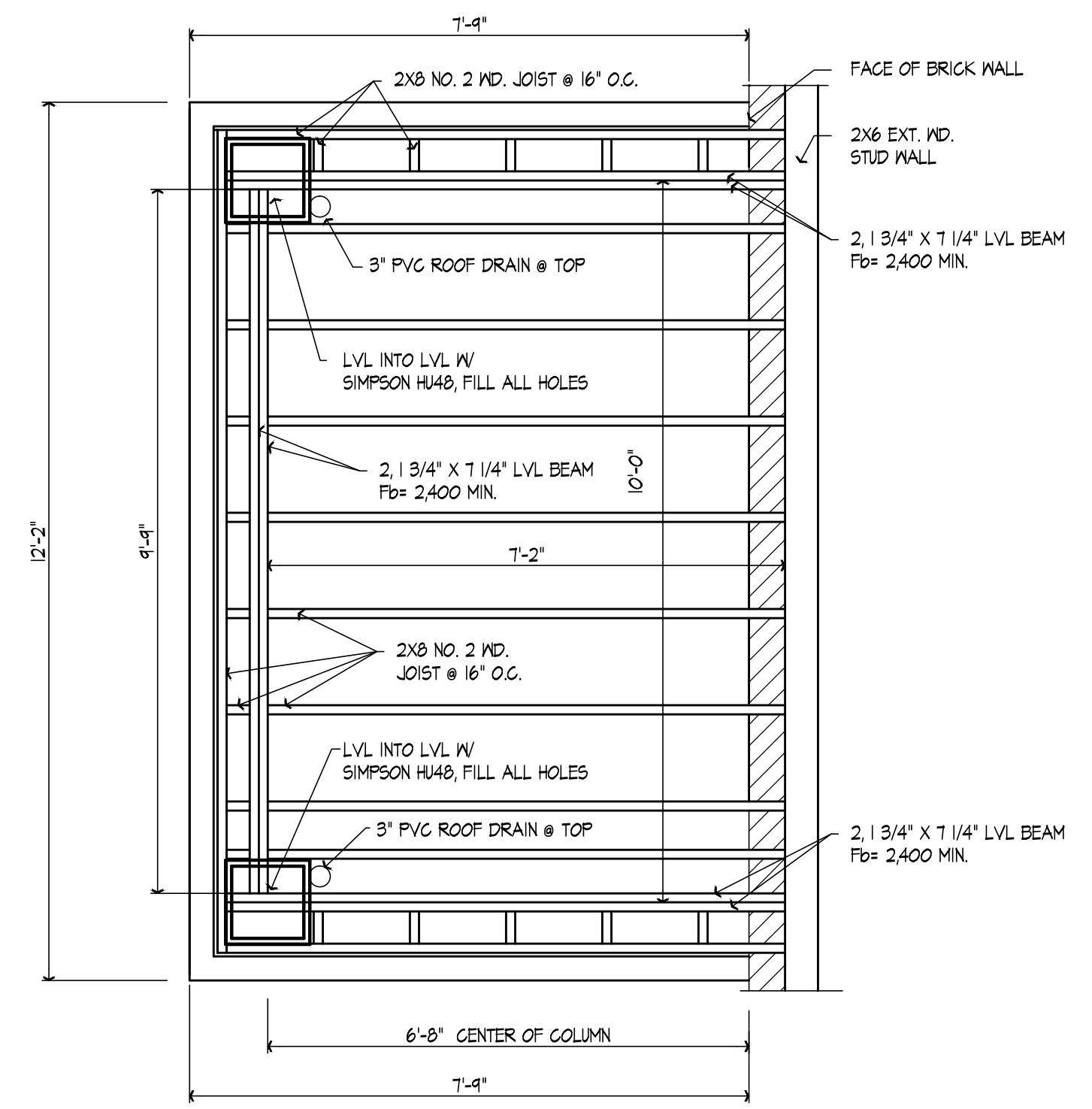
CANPOY SECTION  
SCALE: 1/2" = 1' - 0"



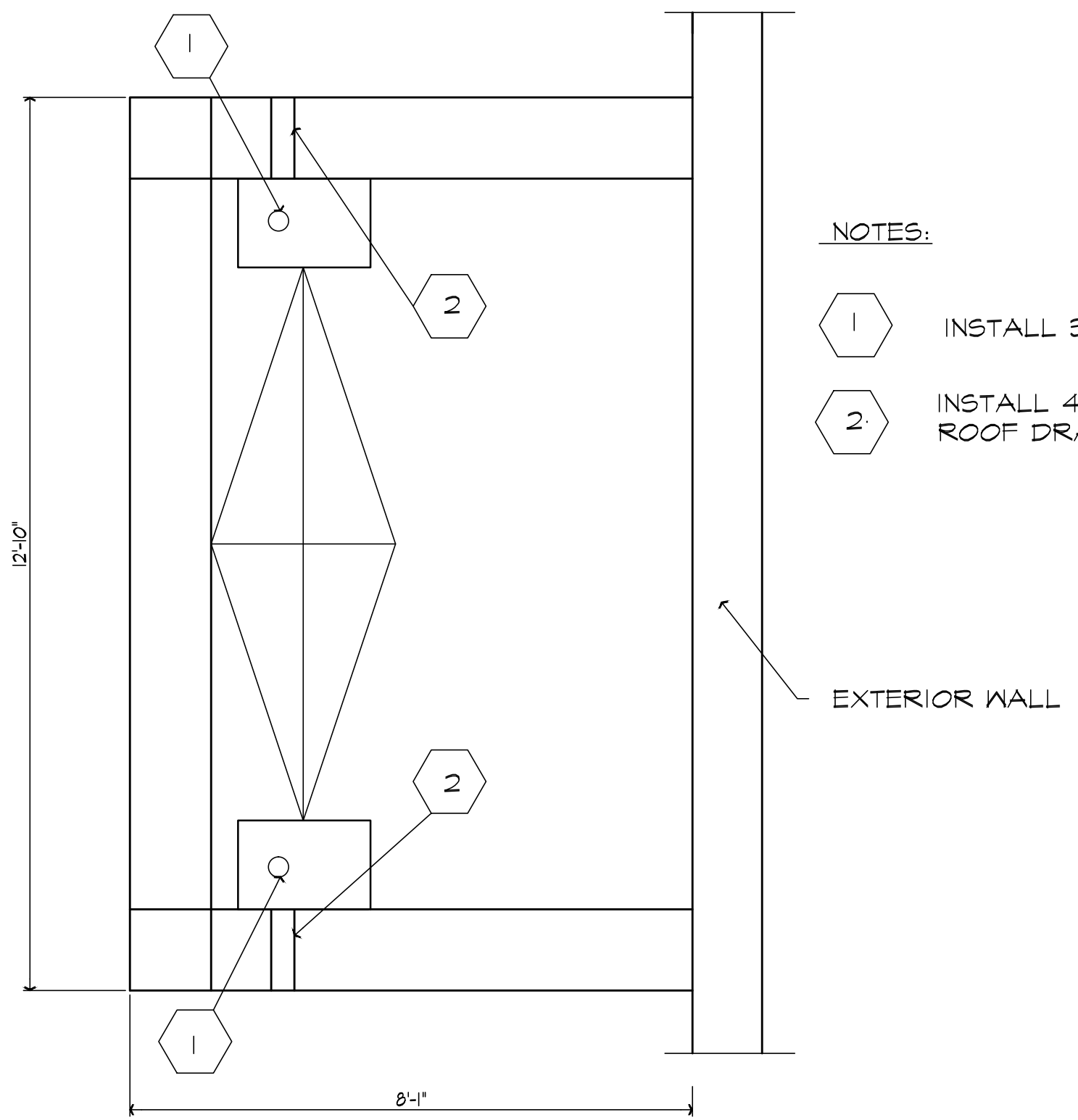
CANPOY ELEVATION  
SCALE: 1/2" = 1' - 0"



ROOF DRAIN DETAIL  
SCALE: 3/4" = 1' - 0"



CANPOY PLAN  
SCALE: 1/2" = 1' - 0"



CANPOY PLAN  
SCALE: 1/2" = 1' - 0"

- NOTES:
- 1 INSTALL 3" ROOF DRAIN.
  - 2 INSTALL 4" OVERFLOW ROOF DRAIN IN PARAPET

**IMPORTANT NOTE ON FASTENERS IN PRESSURE TREATED WOOD:**  
 --USE ONLY STAINLESS STEEL OR HOT DIPPED GALVANIZED WITH G185 COATING FOR CONTACT WITH NON-BORIC ACID P.T. WOOD. REGULAR GALVANIZED COATING MAY BE USED FOR BORIC ACID P.T. WOOD.  
 --JOIST/BREAM HANGERS MUST HAVE G185 GALVANIZED COATING.

CITY OF STANTON  
**CITY HALL & POLICE STATION**  
 STANTON, KENTUCKY

DATE	REVISION	BY

PROJECT NO. 4-065-09  
 DESIGNED BY MSF  
 DRAWN BY MSF  
 CHECKED BY  
 REVIEWED BY  
 DATE JUNE 2015  
 SCALE AS NOTED

**nse**  
 OF KENTUCKY, INC.  
 Engineers  
 Architects  
 Planners  
 Phone: (609)223-5684  
 Fax: (609)223-2607  
 624 Wellington Way  
 Millersburg, PA 17058  
 www.nseinc.com

DRAWING NO.  
**A-8**  
 SHEET OF